

LOGSET HARVESTER HEADS



Logset has a harvester head for every customer and every machine.

Reliability and productivity are key features on all Logset harvester heads.

The new 5L head is a compact four-motor head, suitable for thinnings. It's bigger version, the

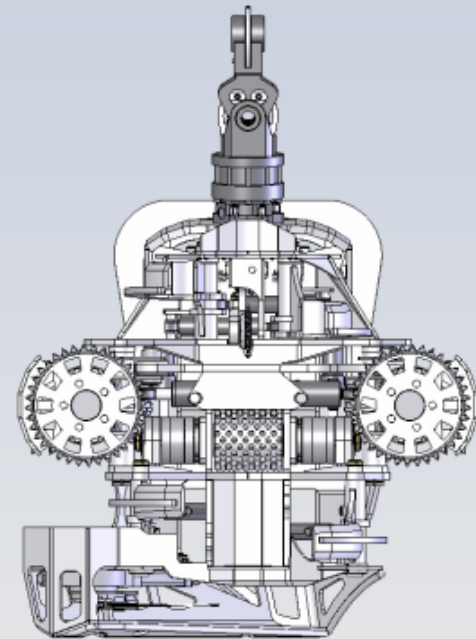
6L, has an additional bottom knife which makes it suitable for clear-cuts as well as thinnings. 7L and 7X are traditional versatile heads for a large variety of conditions, whereas the 8L is the head for big clear-cut harvesters. The 8X is also available for track-based machines.

LOGSET

TECHNICAL DATA

		5L	6L	7L/7X	8L	8X
DIMENSIONS						
Width, head open	mm	1350	1400	1550	1740	1740
Width, head closed	mm	1200	1250	1250	1300	1300
Height to top knife	mm	1140	1280	2000	1600	1750
Height with rotator & link	mm	1700	1900	2230	2150	2280
Weight with rotator and link	kg	1000	1100	1300/ 1400	1300	1500
FELLING/CUTTING						
Max felling/cutting diameter	mm	540	650	650	750	750
Saw bar	mm	640	750	750	820	820
Saw unit		Super-Cut	Super-Cut	Super-Cut	Super-Cut	Super-Cut
FEEDING AND DELIMBING*						
Hydraulic motors, frame	cm ³	250	250	–	315/400	315/400
Hydraulic motors, feeding arms	cm ³	400	500	630/800	630/800	630/800
Feeding speed (300 l/min)	m/s	6 (240 l/min)	6	4.4/5.6	4.4/5.6	4.4/5.6
Max opening, upper knives	mm	630	630	660	700	700
Max opening, lower knives	mm	680	660	720	790	850
Max opening, feed rollers	mm	550	620	580	770	770
Delimiting diameter tip to tip	mm	400	450	430	550	550

*5L: Four hydraulic motors with three steel feed rollers. Three moving and one fixed delimiting knives.
 *6L: Four hydraulic motors with three steel feed rollers. Four moving and two fixed delimiting knives.
 *7L/7X: Two hydraulic motors with steel feed rollers. Four moving and two fixed delimiting knives.
 *8L/8X: Four hydraulic motors with three steel feed rollers. Four moving and one fixed delimiting knife.



We reserve the right to make changes without prior notice. The pictures and diagrams do not always show standard versions of the machines. Copyright Oy Logset Ab 2007.

LOGSET

Hännisentie 2, 66530 Koivulahti, Finland
 Tel. +358 10 286 3200, Fax +358 6 210 3216
www.logset.com